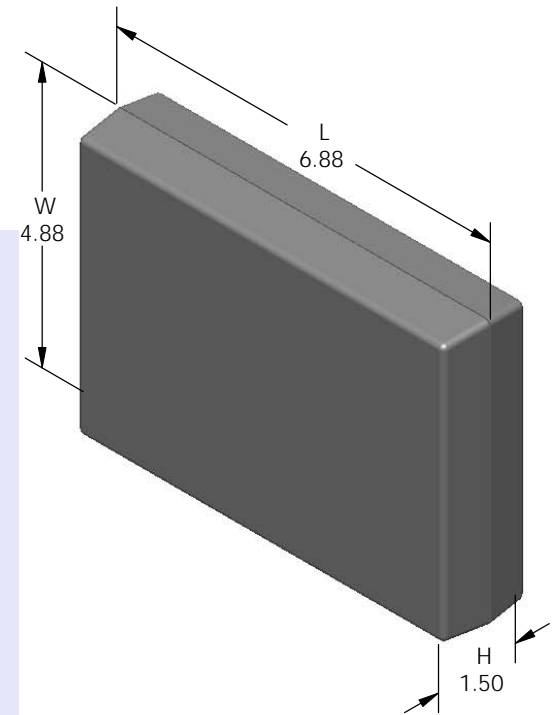
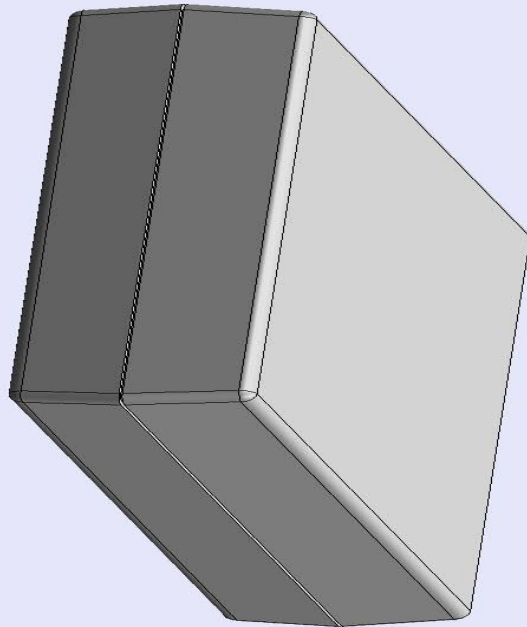


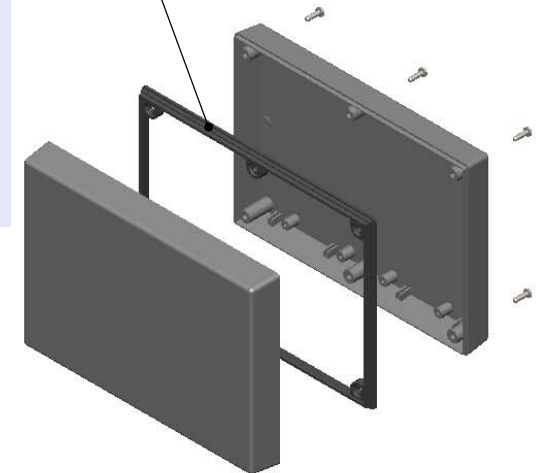
# SERPAC171 (exploded isometric)

Electronic Enclosures

- Click on image to show toolbar. Use ▶ || to Play/Pause Animation.
- Left click and drag on image to move 3D model.



Water proofing gasket  
PS17 optional.  
see note #2



- Zoom in & out with center wheel.
- Pause at any moment to view and or print views.
- Change the views to ortho and section views if needed from the Views pull down menu.
- Explore options included in the tool bar like: Views, Transparency of model, Lighting type, etc.

PART NO.	DESCRIPTION (Included)	ACCESSORIES (Optional)	
7-1	TOP	PART NO.	DESCRIPTION
17	BOTTOM	50	Non-skid Feet
6005	#4X3/8" Self tapping (6)	PS17	Perimeter Seal
		370	Prototype grid board
		470	Prototype clad board

Notes: Enclosure weight .40 lbs / 183 gm

- 1) Enclosure meets or exceeds IP40 and NEMA 1
- 2) When used with PS17 the enclosure meets or exceeds IP 66 and NEMA 4X, 12 and 13 MIL-STD-810G 506.5
- 3) Circuit Board drawings can be download at:

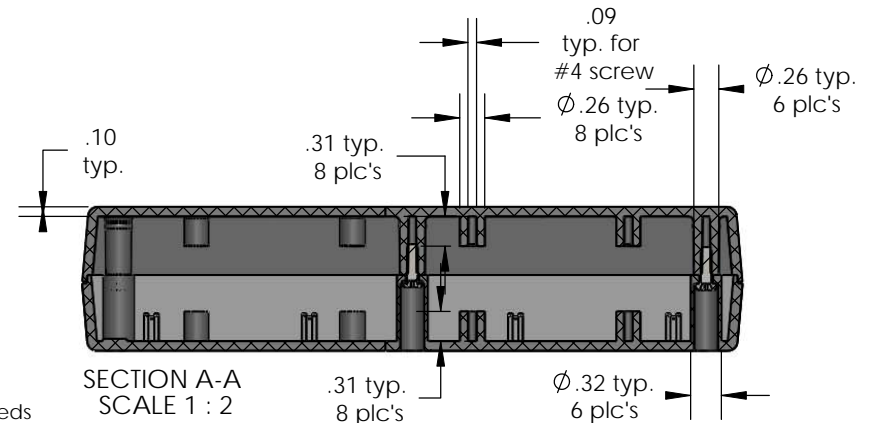
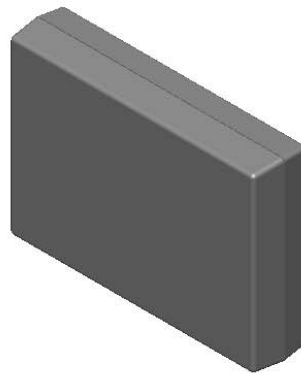
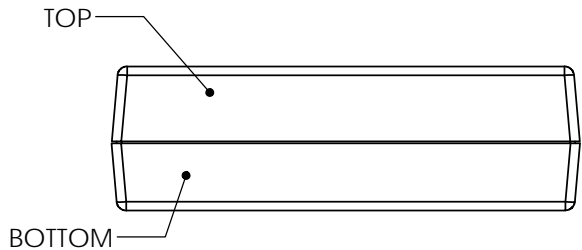
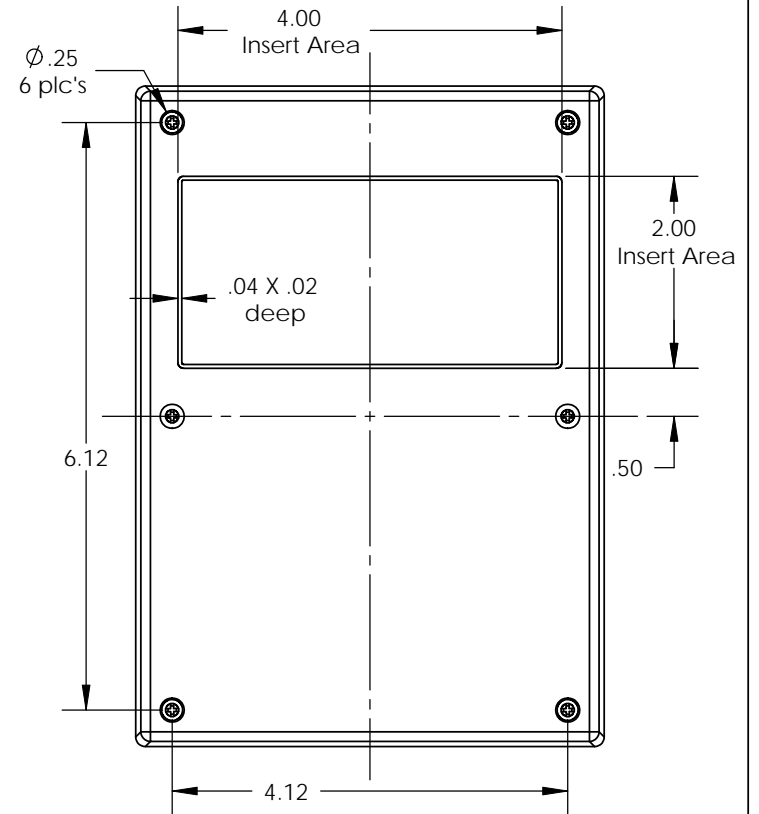
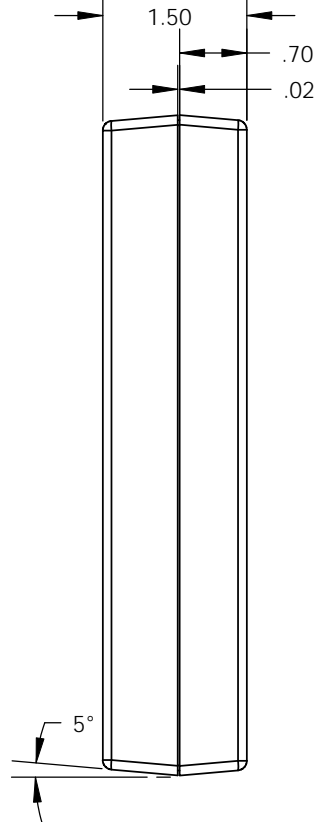
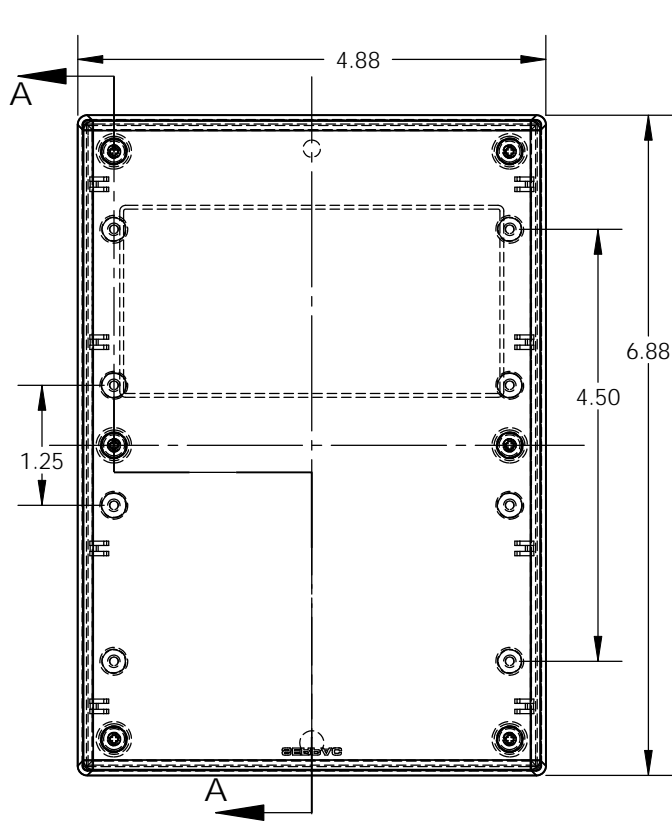
<http://www.serpac.com/Accessories/CircuitBoard/drawings/370-470.pdf>

- 4) All components are RoHS Compliant.

ALL DIMENSIONS ARE ± .010" 3/23/10 (1 of 2)  
619 Commercial Ave. Covina, CA 91723  
Ph. (626) 331-0517 Fx. (626) 331-8584 serpac.com

# SERPAC 171 (user print)

Electronic Enclosures



PART NO.	DESCRIPTION (Included)	ACCESSORIES (Optional)	
7-1	TOP	PART NO.	DESCRIPTION
17	BOTTOM	50	Non-skid Feet
6005	#4X3/8" self tapping (6)	PS17	Perimeter Seal
		370	Prototype grid board
		470	Prototype clad board

Notes: Enclosure weight .40 lbs /183 gm  
 1) Enclosure meets or exceeds IP40 and NEMA 1  
 2) When used with PS-17 the enclosure meets or exceeds IP 66 and NEMA 4X, 12 and 13 MIL-STD-810G 506.5  
 3) Circuit Board drawings can be download at: <http://www.serpac.com/Accessories/CircuitBoard/drawings/370-470.pdf>  
 4) All components are RoHS Compliant.

ALL DIMENSIONS ARE ± .010" 3/23/10 (2 of 2)  
 619 Commercial Ave. Covina, CA 91723  
 Ph. (626) 331-0517 Fx. (626) 331-8584 www.serpac.com